




PRO CHAIR traverse



Recommended use	Waiting room, foyer
Frame	Natural oak, clear coating
Seat shell	 <p>100% polypropylene. With anti-slip and matt texture on the seat surface and durable structure on the back of the seat shell. Seat shell with mount for traverse, incl. screws.</p>
Equipment	 Also available with armchair seat shell. All PRO colours available.
Frame colours	 <p>Natural oak, clear coating</p>
Size and weight	<p>3 elements: 1,800 mm, 20 kg 4 elements: 2,400 mm, 26 kg 5 elements: 3,000 mm, 33 kg 6 elements: 3,600 mm, 38 kg</p>
Tabletop	MDF-coated, HPL solid-core tabletop, anthracite
Connection set	For 2 traverse elements, incl. screws
Glider	 <p>A B</p>
Seat cushion	All details about seat cushions on page 149.

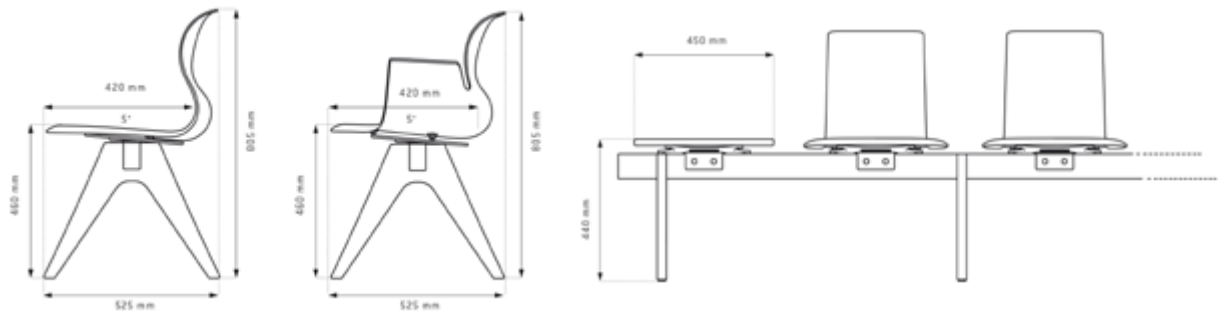
DXF, DWG data

Data in a variety of formats for architects and planners available upon request.

Designs



Dimensions



PRODUCT DETAILS

- 05 Snow White (RAL 9002)
 - 09 Granite Grey (RAL 7037)
 - 06 Graphite Black (RAL 9005)
 - 73 Warm Grey (NCS S5005-Y20R)
 - 11 Aqua Blue (RAL 210 70 10)
 - 31 Coral Red (RAL 040 40 60)
 - 14 Kiwi Green (RAL 100 70 60)
- A Felt glider
B Hyper glider