





PRO ARMCHAIR

four-star aluminium frame



Recommended use	Office, lounge, conference, workstation, living and dining area
Frame	Aluminium, polished, colour powder-coated
Seat shell	 <p>05 09 06 73 11 31 14</p> <p>100% polypropylene. With anti-slip and matt texture on the seat surface and durable structure on the back of the seat shell.</p>
Equipment	 Also available with PRO chair seat shell. All PRO colours available.
Frame colours	 <p>Aluminium, polished, colour powder-coated</p>
Size	Size 6 developed in accordance with DIN EN 1729
Frame function	Pneumatic height adjustment, swivels
Weight	7.6 kg
Glider	 <p>A B C</p>
Seat cushion	All details about seat cushions on page 149.
Full cushion	For fabrics, see seat cushions. Also available covered in butt leather.
Stackability	Not stackable.

PRODUCT DETAILS

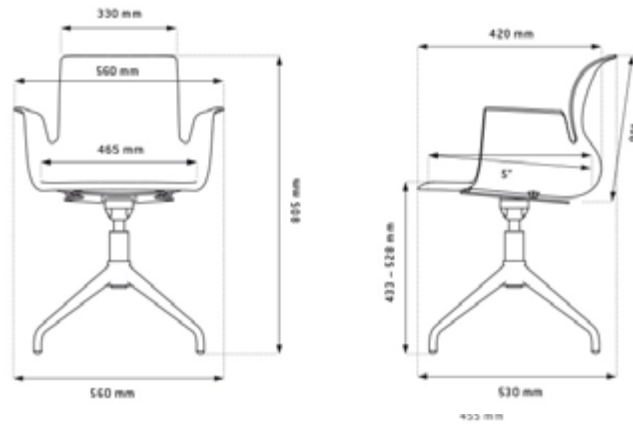
Fire protection

Seat shell available in a flame retardant (optional) version, tested in accordance with DIN 4102-1 for building material class B1. Test certificate no. 230008573 can be sent upon request.

DXF, DWG data

Data in a variety of formats for architects and planners available upon request.

Dimensions



- 05 Snow White (RAL 9002)
- 09 Granite Grey (RAL 7037)
- 06 Graphite Black (RAL 9005)
- 73 Warm Grey (NCS S5005-Y20R)
- 11 Aqua Blue (RAL 210 70 10)
- 31 Coral Red (RAL 040 40 60)
- 14 Kiwi Green (RAL 100 70 60)
- 98 Chrome

- A Universal glider
- B Felt glider
- C Hyper glider